

# DBK206

## Screw-Terminal Adapter Board

### Features

- Provides removable screw-terminal connection
- Includes P1, P2, and P3 connectors
- Optional rack and DIN-rail mountable

The DBK206 screw-terminal board provides convenient, removable screw-terminal access to all P1, P2, and P3 signals. The DBK206 features three horizontally mounted male DB37 connectors for attaching to a DAQ system, or for analog and digital channel expansion (P1 analog I/O, P2 digital I/O, and P3 analog output, digital and counter-timer I/O).

The board mates with the DaqBoard/2000 Series boards via a 3 ft. CA-195 or 6 ft. CA-195-6 cable, and each port (P1, P2, and P3) connects to DBK signal conditioning and expansion options via optional CA-37-x cable(s). The standard DBK206 can be panel mounted, but it also is DIN-rail mountable with option DIN1 and is 19" rack-mountable with optional Rack3.

### Specifications

#### Connectors

**P4:** 100-pin connector provides for connection to DaqBoard/2000 Series P4 connector via a CA-195 cable

**P1:** One P1 (DB37) connector provides for analog expansion via a single CA-37-x cable or multiple CA-37-1 cables or connection to a DAQ system

**P2:** One P2 (DB37) connector provides for digital expansion via a single CA-37-x cable or multiple CA-37-1 cables or connection to a DAQ system

**P3:** One P3 (DB37) connector provides for digital and analog output access

**Screw Terminals:** 12 sets of removable 10-conductor blocks for I/O signals

**Wire Size Range:** 10-22 gage

### Ordering Information

#### Description

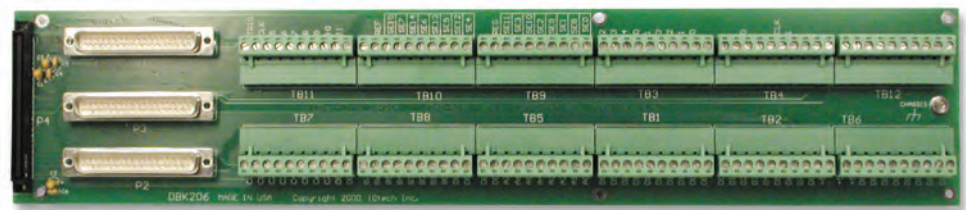
Termination and expansion board with removable screw terminals for access to all DaqBoard/2000 Series I/O with direct connection for DBK signal conditioning and expansion options (P1, P2 and P3 for analog and digital I/O) via CA-37-1 cable(s); connects to DaqBoard/2000 Series P4 connector via a CA-195 or CA-209 cable

Expansion board for direct connection to DBK signal conditioning and expansion options

Part No.

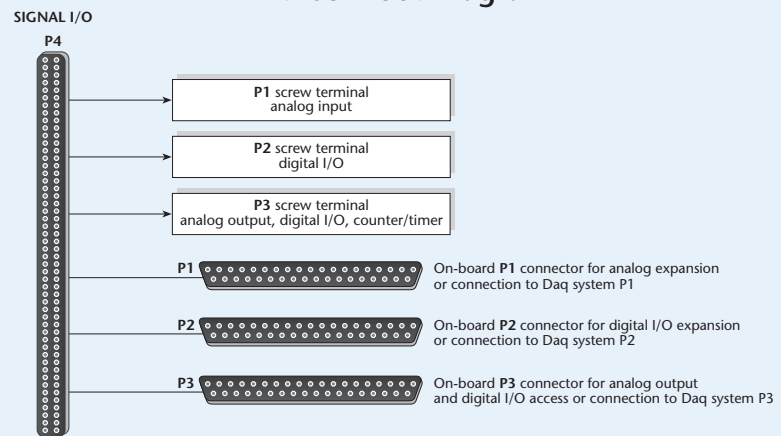
DBK206

DBK209



The DBK206 provides removable screw-terminal connectors for DaqBoard/2000 Series I/O

### DBK206 Block Diagram



### Accessories

#### Description

Rack-mount kit for DBK206, DBK207, DBK208, DBK209, and DBK210 signal termination and expansion boards

DIN-rail adapter kit for DBK206, DBK207, DBK208, and DBK210 signal termination and expansion boards

DIN-rail adapter kit for DBK209 signal termination and expansion board

Part No.

Rack3

DIN1

DIN2

### Cables

#### Description

Ribbon cable for connecting DBK Series expansion options; where x is the number of DBK devices attached

100-conductor expansion cable, mates with the DaqBoard/2000 Series, DBK200, DBK202, DBK203A, DBK206, DBK207, DBK207/CJC, DBK208, DBK209, and DBK210

3 ft. expansion cable

6 ft. expansion cable

Same as CA-195 with CE compliance; 3 ft.

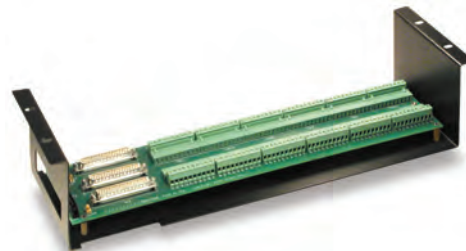
Part No.

CA-37-x

CA-195

CA-195-6

CA-209



Rack3 rack-mount kit for the DBK206

### Product Compatibility

- ✓ LogBook
- ✓ DaqBook
- ✓ DaqScan
- ✓ DaqBoard/2000 Series