

Ethernet-Based Portable High-Speed Waveform Acquisition System

Requires one of the following versions of Windows®



Windows 7 (32 or 64-bit)
Windows Vista (32 or 64-bit)
Windows XP SP2 (32-bit)
Windows 2000 SP4



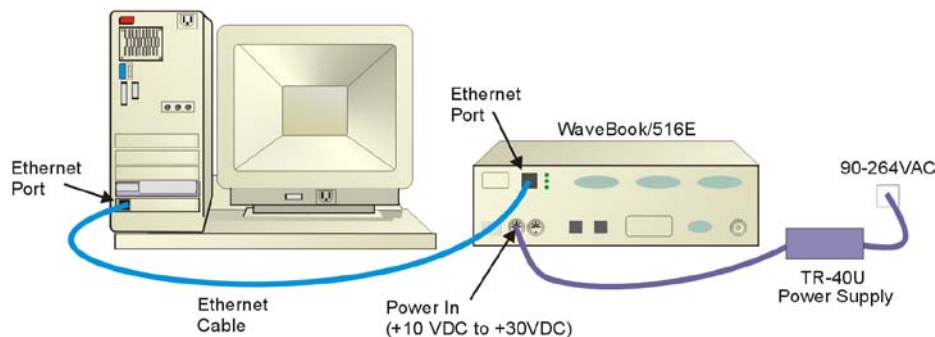
Before you get started verify that you have an acceptable version of Windows, the following items, and meet or exceed the minimum requirements listed.

- WaveBook/516E
- TR-40U Power Supply
- Ethernet Patch Cable
- Ethernet jack [on PC or on a hub connected to the Ethernet]
- Software CD
Dynamic Signal Analysis CD (for eZ-Software), or Data Acquisition CD (for WaveView) See Note, pg. 2*
- License Keys for purchased [eZ]software
- Monitor: SVGA, 1024 x 768 screen resolution
- For Windows 2000 SP4, or Windows XP:
Intel™ Pentium 4 or equivalent;
1GB memory; 10 GB disk space
- For Windows Vista or Windows 7:
PC must be *Windows Premium Ready*

Step 1 - Install Software

1. Close all running applications on the host PC.
2. Insert the CD [for *eZ-Software* or *WaveView*, as applicable] into your CD-ROM drive and wait for the CD to auto-run. An *Opening Screen* will appear.
3. Click the <ENTER SETUP> button.
4. From the hardware selection screen [which follows a licensing agreement], select **WaveBook/516E** from the drop-down list and follow the on-screen instructions.

Step 2 - Connect the WaveBook/516E to the Ethernet



In this scenario a WaveBook/516E is connected directly to an Ethernet port on a host computer. Please consult your user's manual (located in PDF format on the CD) should you need information regarding other network types.

1. Connect the Ethernet cable to the WaveBook/516E Ethernet jack on the unit's rear panel.
2. Connect the other end of the Ethernet cable to the Ethernet jack on the host computer or network hub.

Step 3 - Connect the WaveBook/516E to Power

1. With the WaveBook/516E power switch "OFF," connect the power supply cable from the TR-40U to the WaveBook's Power-In DIN5 connector (located on the rear panel).
2. Connect the TR-40U plug to a standard AC outlet; and turn the WaveBook's power switch to "ON."

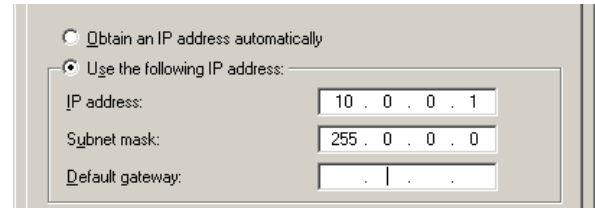
Step 4 - Configure Computer Network Settings

Note: We recommend that you discuss this procedure with your Network Administrator before proceeding.



1. Open the Control Panel by navigating from the Windows Desktop as follows:
Start Menu ⇒ Settings ⇒ Control Panel.
2. Double-click the “Network Connections” icon.
3. Double-click the icon for the network that the WaveBook/516E is connected to.
4. In the “Local Area Connection Status” box, click on the <Properties> button. The “Local Area Connection Properties” box will appear.
5. Double-click the “Internet Protocol (TCP/IP)” component. The “Internet Protocol (TCP/IP) Properties” box will appear.
6. Select the “Use the following IP Address” radio button.
(See figure at left).
7. Set the IP address field to 10.0.0.x
where x is some number from 1 to 254.

Make sure that each computer and each device on the dedicated network has a unique IP address. Never set the TCP/IP for the device to be the same as the host computer’s IP address!



*Internet Protocol (TCP/IP) Properties
(Partial View)*

8. Set the Subnet mask to 255.0.0.0. Note that the remaining fields can be left as is. Click <OK>.
9. Click <OK> on follow-up screens to exit.

Step 5 - Configure & Test the System

1. Open the Daq Configuration Applet.
 - a. Navigate from the Windows’ Desktop: **Start Menu ⇒ Settings ⇒ Control Panel**
 - b. From the Control Panel, double-click the **Daq Configuration** icon.
2. Add the WaveBook/516E to the list of installed devices.
 - a. Select the Computer image in the Device Inventory configuration tree.
 - b. Click the <Add Device> button. The “Select Device Type” box will appear.
 - c. Select the **WaveBook/516E** from the list of devices.
 - d. Click the <OK> button. The “Properties” box will appear for the selected device.
 - e. Enter the **Serial Number** of the WaveBook/516E. The number is on the MAC label (rear panel, upper left). The serial number is located just below a barcode.
 - f. Select the “**Auto IP Setting**” radio button. The IP Address of the WaveBook/516E will automatically be calculated and displayed in the IP Address field
 - g. Click the <OK> button.
3. Test the system connections.
 - a. Make sure the device has been properly installed and is powered-on.
 - b. Make sure all cables are properly and securely connected.
 - c. Click the “**Test Hardware**” tab.
 - d. Click the <TCP/IP Test> button. This tests the Transmission Control Protocol / Internet Protocol.
 - e. Upon completion of the TCP/IP test, click the <Resource Test> button.
When testing, if the unit does not respond within 30 seconds perform the following steps:
1) reboot the system, 2) upon power-up, re-open the Daq Configuration applet, 3)select another configuration setting, 4) reinitiate the test.



Step 6 - Connect Data Acquisition Signal Lines

Prior to making signal connections review the *Specifications* chapter of your user’s manual to ensure that your intended signal inputs do not exceed the specified limits. The manual is included in PDF format on your CD.

Note: **WaveView users only:** If TEDS (Transducer Electronic Data Sheet) applies to your system, use: **D7DB1F527813** as the *Authorization Code*, when prompted.



324604D-01

Measurement Computing Corporation

10 Commerce Way
Norton, MA 02766
USA

Phone: (508) 946-5100

Fax: (508) 946-9500

e-mail: info@mccdaq.com