

# PCI-DIO24

24-bit, Logic-level Digital I/O

## User's Guide

## Trademark and Copyright Information

Measurement Computing Corporation, InstaCal, Universal Library, and the Measurement Computing logo are either trademarks or registered trademarks of Measurement Computing Corporation. Refer to the Copyrights & Trademarks section on [mccdaq.com/legal](http://mccdaq.com/legal) for more information about Measurement Computing trademarks. Other product and company names mentioned herein are trademarks or trade names of their respective companies.

© 2019 Measurement Computing Corporation. All rights reserved. No part of this publication may be reproduced, stored in a retrieval system, or transmitted, in any form by any means, electronic, mechanical, by photocopying, recording, or otherwise without the prior written permission of Measurement Computing Corporation.

### Notice

Measurement Computing Corporation does not authorize any Measurement Computing Corporation product for use in life support systems and/or devices without prior written consent from Measurement Computing Corporation. Life support devices/systems are devices or systems that, a) are intended for surgical implantation into the body, or b) support or sustain life and whose failure to perform can be reasonably expected to result in injury. Measurement Computing Corporation products are not designed with the components required, and are not subject to the testing required to ensure a level of reliability suitable for the treatment and diagnosis of people.

---

# Table of Contents

<b>Preface</b>	
<b>About this User's Guide .....</b>	<b>4</b>
What you will learn from this user's guide .....	4
Conventions in this user's guide .....	4
Where to find more information .....	4
Register map .....	4
<b>Chapter 1</b>	
<b>Introducing the PCI-DIO24 .....</b>	<b>5</b>
Functional block diagram .....	5
<b>Chapter 2</b>	
<b>Installing the PCI-DIO24 .....</b>	<b>6</b>
Unpacking.....	6
Installing the software .....	6
Installing the hardware .....	6
Configuring the hardware.....	6
Signal connections.....	7
Connector pinout.....	7
Cabling.....	8
Field wiring and signal termination .....	8
<b>Chapter 3</b>	
<b>Functional Details .....</b>	<b>9</b>
DIO signals .....	9
Signal level control.....	9
<b>Chapter 4</b>	
<b>Specifications .....</b>	<b>11</b>
Power consumption .....	11
Digital I/O.....	11
Environmental .....	11
Signal connector .....	12
<b>EU Declaration of Conformity .....</b>	<b>13</b>

---

## About this User's Guide

### What you will learn from this user's guide

This user's guide describes the Measurement Computing PCI-DIO24 data acquisition device and lists device specifications.

### Conventions in this user's guide

**For more information**

Text presented in a box signifies additional information and helpful hints related to the subject matter you are reading.

**Caution!** Shaded caution statements present information to help you avoid injuring yourself and others, damaging your hardware, or losing your data.

**Bold** text is used for the names of objects on a screen, such as buttons, text boxes, and checkboxes.

*Italic* text is used for the names of manuals and help topic titles, and to emphasize a word or phrase.

### Where to find more information

Additional information about the PCI-DIO24 is available on our website at [www.mccdaq.com](http://www.mccdaq.com). You can also contact Measurement Computing Corporation by phone, fax, or email with specific questions.

- Knowledgebase: [kb.mccdaq.com](http://kb.mccdaq.com)
- Tech support form: [www.mccdaq.com/support/support\\_form.aspx](http://www.mccdaq.com/support/support_form.aspx)
- Email: [techsupport@mccdaq.com](mailto:techsupport@mccdaq.com)
- Phone: 508-946-5100 and follow the instructions for reaching Tech Support

For international customers, contact your local distributor. Refer to the International Distributors section on our website at [www.mccdaq.com/International](http://www.mccdaq.com/International).

For additional information relevant to the operation of your hardware, refer to the *Documents* subdirectory where you installed the MCC DAQ software (C:\Program Files\Measurement Computing\DAQ by default), or search for your device on our website at [www.mccdaq.com](http://www.mccdaq.com).

### Register map

If you need to program at the register level in your application, refer to the *Register Map for the PCI-DIO24, PCI-DIO24H, PCI-DIO24/S, and PCI-DIO24/LP*. This document is available on our website at [www.mccdaq.com/registermaps/RegMapPCI-DIO24X.pdf](http://www.mccdaq.com/registermaps/RegMapPCI-DIO24X.pdf).

# Introducing the PCI-DIO24

This manual explains how to install, configure and use the PCI-DIO24 digital I/O board.

The PCI-DIO24 provides 24 lines of digital I/O. An on-board, industry standard 82C55 programmable peripheral interface chip provides the 24 digital I/O lines in three eight-bit ports (Port A, Port B, and Port C). Port C can be further divided into two four-bit ports (Port C-HI and Port C-LO). You can configure each port independently for either input or output. All 24 I/O lines are accessible through the board's 37-pin connector. The I/O pins of an 82C55 are bi-directional CMOS TTL level.

### 82C55 mode 1 or mode 2 operation

This user's guide provides information on I/O configuration of the 82C55 in mode 0. To use the 82C55 in modes 1 or 2, refer to the *82C55A CMOS Programmable Interface* datasheet. This document is available on our web site at [www.mccdaq.com/82C55](http://www.mccdaq.com/82C55).

## Functional block diagram

PCI-DIO24 functions are illustrated in the block diagram shown here.

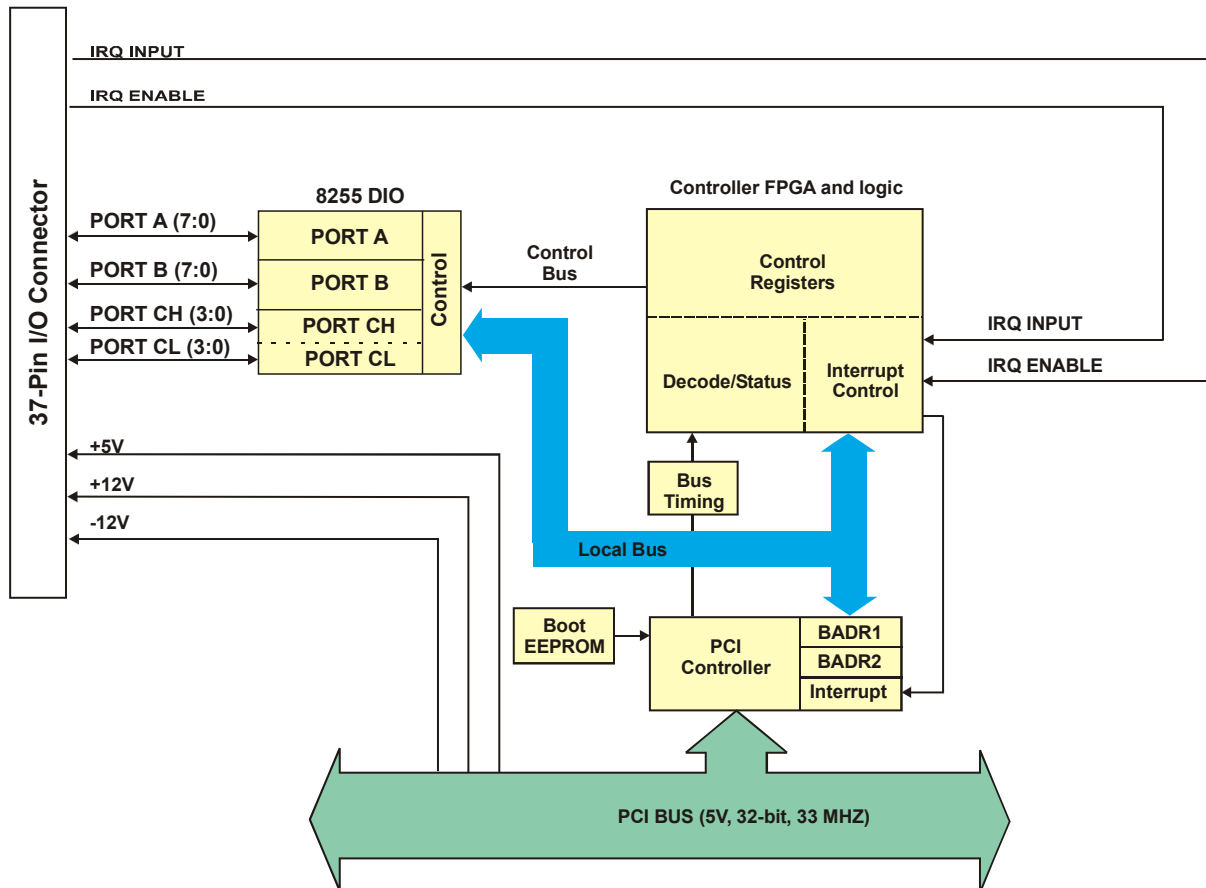


Figure 1. Functional block diagram

## Installing the PCI-DIO24

### Unpacking

As with any electronic device, you should take care while handling to avoid damage from static electricity. Before removing the device from its packaging, ground yourself using a wrist strap or by simply touching the computer chassis or other grounded object to eliminate any stored static charge.

Contact us immediately if any components are missing or damaged.

### Installing the software

Refer to the MCC DAQ Quick Start and the PCI-DIO24 product page on our website for information about the software that supports the device.

**Install the software before you install your device**

The driver needed to run the PCI-DIO24 is installed with the software. Therefore, you need to install the software package you plan to use before you install the hardware.

### Installing the hardware

The PCI-DIO24 board is completely plug-and-play, with no switches or jumpers to set. Configuration is controlled by your system's BIOS. Perform the following procedure to install your board.

**Install the MCC DAQ software before you install your board**

The driver needed to run your board is installed with the MCC DAQ software. Therefore, you need to install the MCC DAQ software before you install your board. Refer to the Quick Start Guide for instructions.

1. Turn your computer off, open it up, and insert your board into an available PCI slot.
2. Close your computer and turn it on.  
When connected for the first time, a **Found New Hardware** dialog opens when the operating system detects the device. When the dialog closes, the installation is complete. If you have not installed the MCC DAQ software, cancel the dialog and install it now.
3. To test your installation and configure your board, run the InstaCal utility installed with MCC DAQ software. Refer to the Quick Start Guide for information on how to initially set up and load InstaCal.

### Configuring the hardware

All hardware configuration options on the PCI-DIO24 are software controlled.

## Signal connections

The table below lists board connectors, applicable cables, and accessory products for the PCI-DIO24.

Board connectors, cables, and accessory equipment

Connector type	37-pin D-type
Compatible cables	C37FF-x unshielded ribbon cable. x = length in feet. (see Figure 3) C37FFS-x cable shielded round cable. x = length in feet. (see Figure 4)
Compatible accessory products (with the C37FF-x or C37FFS-x cable)	SCB-37 CIO-MINI37 CIO-MINI37-VERT CIO-ERB08 CIO-SERB08 CIO-ERB24 CIO-SPADE50 SSR-RACK08 SSR-RACK24

### Connector pinout

The I/O connector is a 37-pin, male D-type connector accessible from the rear of the computer through the expansion backplate. The signals available are direct connections to the digital I/O chips as well as the computer's internal power supplies. The pinout is identical to the CIO-DIO24, except that -5 VDC is not brought out. The PCI-DIO24 board's I/O connector is shown in Figure 2.

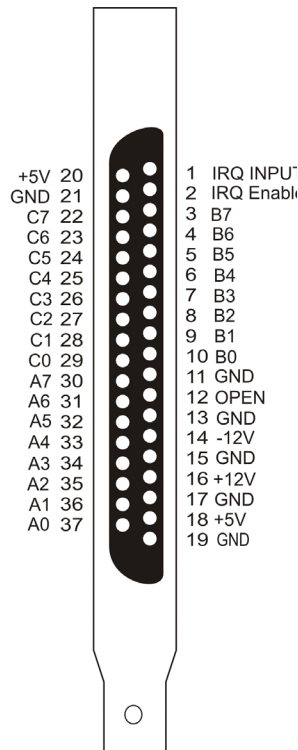


Figure 2. Connector pinout

#### Information on signal connections

General information regarding signal connection and configuration is available in the *Guide to DAQ Signal Connections* on our website at [www.mccdaq.com/support/DAQ-Signal-Connections.aspx](http://www.mccdaq.com/support/DAQ-Signal-Connections.aspx).

## Cabling

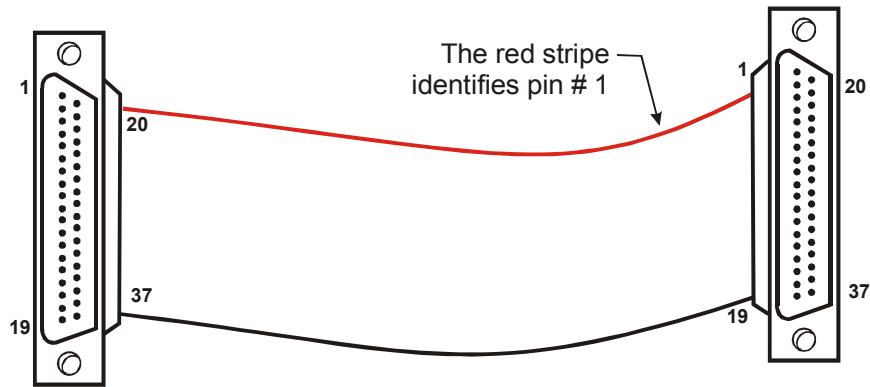


Figure 3. C37FF-x cable

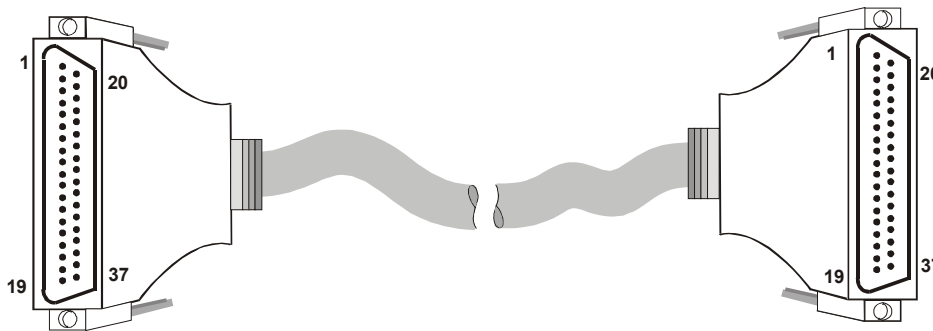


Figure 4. C37FFS-x cable

## Field wiring and signal termination

You can connect the PCI-DIO24 to the following termination boards using the C37FF-x or C37FFS-x cable:

- SCB-37 — 37-conductor, shielded signal connection/screw terminal box that provides two independent 37-pin connections.
- CIO-MINI37 — 4 x 4, 37-pin screw terminal board.
- CIO-MINI37-VERT — 37-pin screw terminal accessory with vertical 37-pin male D connector.
- CIO-SPADE50 — 16" X 4" termination panel which mates with both 37-pin and 50-pin connectors.

Details on these products are available on our website.

The following relay racks and accessory boards can be used with the PCI-DIO24:

- SSR-RACK24 — 24-position solid state relay rack.
- SSR-RACK08 — Eight-channel solid state relay rack.
- CIO-ERB08 — Eight-channel electromechanical relay accessory for digital I/O boards.
- CIO-SERB08 — Eight Form C and ten socketed relay accessory for digital I/O boards.
- CIO-ERB24 — 24-channel electromechanical relay accessory for digital I/O boards.

Details on these products are available on our website.



## Functional Details

### DIO signals

All digital outputs and inputs on the PCI-DIO24 are CMOS TTL. Voltages and currents associated with external devices are usually far greater than can be supplied from a PCI-DIO24.

**Caution!** Direct connections to high-current/high voltage devices will damage the board.

The 82C55 digital I/O chip initializes all ports as inputs on power-up and reset. The state of the digital I/O lines is not defined as either logic high or logic low when in input mode. Input devices connected to the PCI-DIO24 board may detect either a high or a low, and therefore may be turned off or on at power-up.

### Signal level control

All I/O bits are set to a high impedance input mode on power up and reset. To prevent unwanted signal levels, and to drive all inputs on the device you are controlling to a known state after power up or reset, install pull-up or pull-down resistors.

A pull-up resistor pulls all digital pins up to +5 V (high logic level). A pull-down resistor pulls all digital pins down to 0 V (low logic level).

The PCI-DIO24 has open locations where you can install a 2.2 K $\Omega$ , eight-resistor single inline package (SIP) resistor network for each port. The SIP is made up of eight 2.2 K $\Omega$  resistors. One side of each resistor is connected to a single common point and brought out to a pin. The common line is marked with a dot or line at one end of the SIP. The remaining resistor ends are brought out to the other eight pins (see Figure 5).

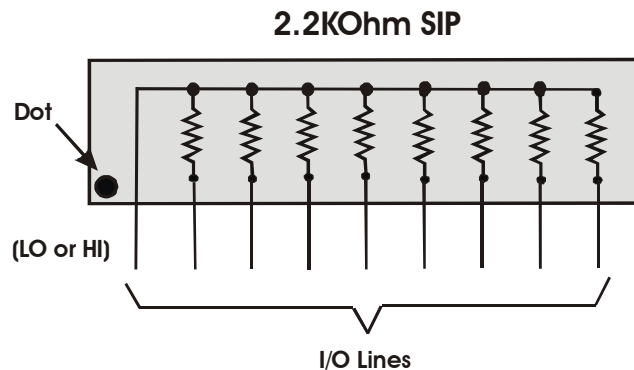


Figure 5. Eight-resistor SIP schematic

Install the SIP on the PCI-DIO24 board at the locations labeled PORT A, PORT B and PORT C (adjacent to the 37-pin connector).

Figure 6 shows a schematic of an SIP installed in both the pull-up and pull-down positions.

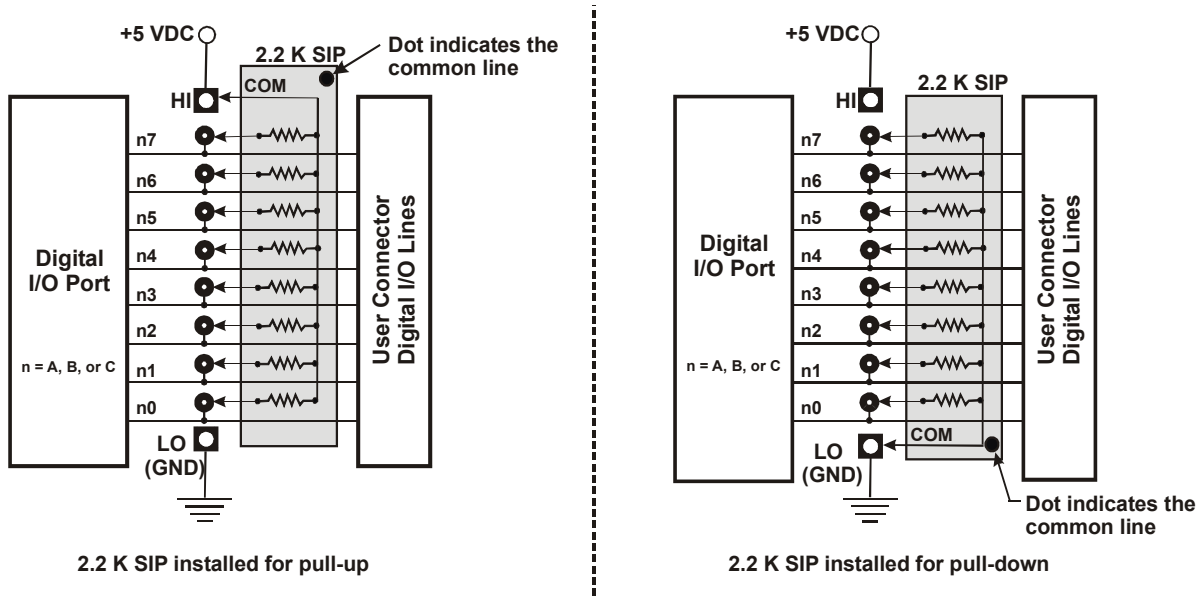


Figure 6. Pull-up and pull-down resistor SIP schematic

When installed, the SIP establishes either a high or low logic level at each of the eight I/O lines on the port. At each board location, A, B, and C, there are 10 holes in a line. The hole on one end is marked "HI" and is connected to +5V. The other end is marked "LO" and is connected to GND. The eight holes in the middle connect to eight lines of the port, A, B or C.

To pull-up lines, orient the SIP with the common pin (dot) toward the HI end; to pull-down, install the resistor with the common pin in the LO hole.

**Note**

We recommend using 2.2 KΩ SIPs (MCC part number SP-K2.29C). Use a different value only if necessary.

## Specifications

All specifications are subject to change without notice.  
Typical for 25 °C unless otherwise specified.

### Power consumption

Table 1. Power consumption specifications

+5V operating	240 typical, 350 max
---------------	----------------------

### Digital I/O

Table 2. DIO specifications

Digital type	82C55
Configuration	Two banks of 8, two banks of 4, programmable by bank as input or output
Number of channels	24 I/O
Output high	3.7 volts min @ -2.5 mA
Output low	0.4 volts max @ 2.5 mA
Input high	2.2 volts min, 5.3 volts absolute max
Input low	0.8 volts max, -0.3 volts absolute min
Power-up / reset state	Input mode (high impedance)
Interrupts	INTA# - mapped to IRQn via PCI BIOS at boot-time
Interrupt enable	External (IR ENABLE, active low, disabled by default through internal resistor to TTL high) and programmable through PCI9052. 0 = disabled, 1 = enabled (default)
Interrupt sources	External source (IR INPUT), polarity programmable through PCI9052. 1 = active high, 0 = active low (default)

### Environmental

Table 3. Environmental specifications

Operating temperature range	0 °C to 50 °C
Storage temperature range	-20 °C to 70 °C
Humidity	0 to 90% non-condensing

## Signal connector

Table 4. Signal connector specifications

Connector type	37-pin D-type
Compatible cables	C37FF-x unshielded ribbon cable. x = length in feet. C37FFS-x cable shielded round cable. x = length in feet.
Compatible accessory products with the C37FF-x or C37FFS-x cable	SCB-37 CIO-MINI37 CIO-MINI37-VERT CIO-ERB08 CIO-SERB08 CIO-ERB24 CIO-SPADE50 SSR-RACK08 SSR-RACK24

Table 5. Connector pinout

Pin	Signal Name	Pin	Signal Name
1	IRQ INPUT	20	+5V
2	IRQ ENABLE	21	GND
3	Port B7	22	Port C7
4	Port B6	23	Port C6
5	Port B5	24	Port C5
6	Port B4	25	Port C4
7	Port B3	26	Port C3
8	Port B2	27	Port C2
9	Port B1	28	Port C1
10	Port B0	29	Port C0
11	GND	30	Port A7
12	OPEN	31	Port A6
13	GND	32	Port A5
14	-12V	33	Port A4
15	GND	34	Port A3
16	+12V	35	Port A2
17	GND	36	Port A1
18	+5V	37	Port A0
19	GND		

**CE EU Declaration of Conformity**  
According to ISO/IEC 17050-1:2010

Manufacturer: Measurement Computing Corporation  
Address: 10 Commerce Way  
Norton, MA 02766  
USA  
Product Category: Electrical equipment for measurement, control and laboratory use.  
Date and Place of Issue: December 4, 2017, Norton, Massachusetts USA  
Test Report Number: EMI5299.09

Measurement Computing Corporation declares under sole responsibility that the product

**PCI-DIO24**

is in conformity with the relevant Union Harmonization Legislation and complies with the essential requirements of the following applicable European Directives:

Electromagnetic Compatibility (EMC) Directive 2014/30/EU  
Low Voltage Directive 2014/35/EU  
RoHS Directive 2011/65/EU

Conformity is assessed in accordance to the following standards:

EMC:

Emissions:

- EN 61326-1:2013 (IEC 61326-1:2012), Class A
- EN 55011: 2009 + A1:2010 (IEC CISPR 11:2009 + A1:2010), Group 1, Class A

Immunity:

- EN 61326-1:2013 (IEC 61326-1:2012), Controlled EM Environments
- EN 61000-4-2:2008 (IEC 61000-4-2:2008)
- EN 61000-4-3 :2010 (IEC61000-4-3:2010)
- EN 61000-4-4 :2012 (IEC61000-4-4:2012)
- EN 61000-4-5 :2014 (IEC61000-4-5:2014)
- EN 61000-4-6 :2013 (IEC61000-4-6:2013)
- EN 61000-4-11:2004 (IEC61000-4-11:2004)

Safety:

- EN 61010-1:2010 (IEC 61010-1:2010)

Environmental Affairs:

Articles manufactured on or after the Date of Issue of this Declaration of Conformity do not contain any of the restricted substances in concentrations/applications not permitted by the RoHS Directive.



Carl Haapaoja, Director of Quality Assurance

**Measurement Computing Corporation**  
**10 Commerce Way**  
**Norton, Massachusetts 02766**  
**(508) 946-5100**  
**Fax: (508) 946-9500**  
**E-mail: [info@mccdaq.com](mailto:info@mccdaq.com)**  
**[www.mccdaq.com](http://www.mccdaq.com)**

**NI Hungary Kft**  
**H-4031 Debrecen, Hátar út 1/A, Hungary**  
**Phone: +36 (52) 515400**  
**Fax: +36 (52) 515414**  
**<http://hungary.ni.com/debrecen>**