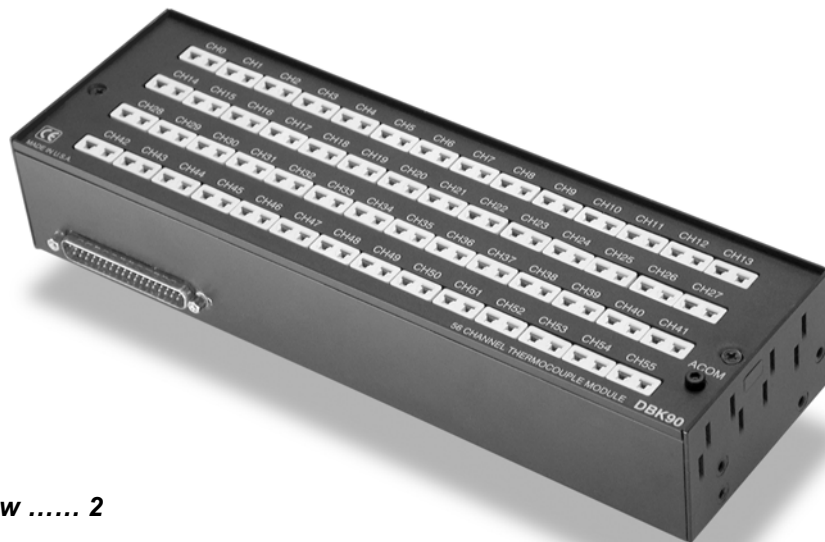


For use with DaqBook/2000 Series Devices, WBK40, & WBK41



### Overview ..... 2

### Hardware Setup ..... 3

- Connecting DBK90 Modules to Thermocouples ..... 3
- Open Thermocouple Detection ..... 4
- Module Configuration ..... 4

### Connecting DBK90 Modules to other Devices .....5

#### Mounting...

- DBK90 Modules to Each Other..... 5
- One or two DBK90 Modules to a Primary Data Acquisition Device.....6
- One, two, or three DBK90 Modules to a DBK60 .....7
- DBK90 to a Rack .....8

### Vehicle Testing and Noise Reduction.....9

- Power Connections and Analog Common ..... 9
- Shielding .....10
- TC Common Mode ..... 10

### Software Setup ..... 11

### Using a Temperature Calibrator ..... 12

### DBK90 – Specifications ..... 13



#### Reference Notes:

- Chapter 2 includes pinouts for P1, P2, P3, and P4. Refer to pinouts applicable to your system, as needed.
- In regard to calculating system power requirements, refer to *DBK Basics* located near the front of this manual.

## Overview

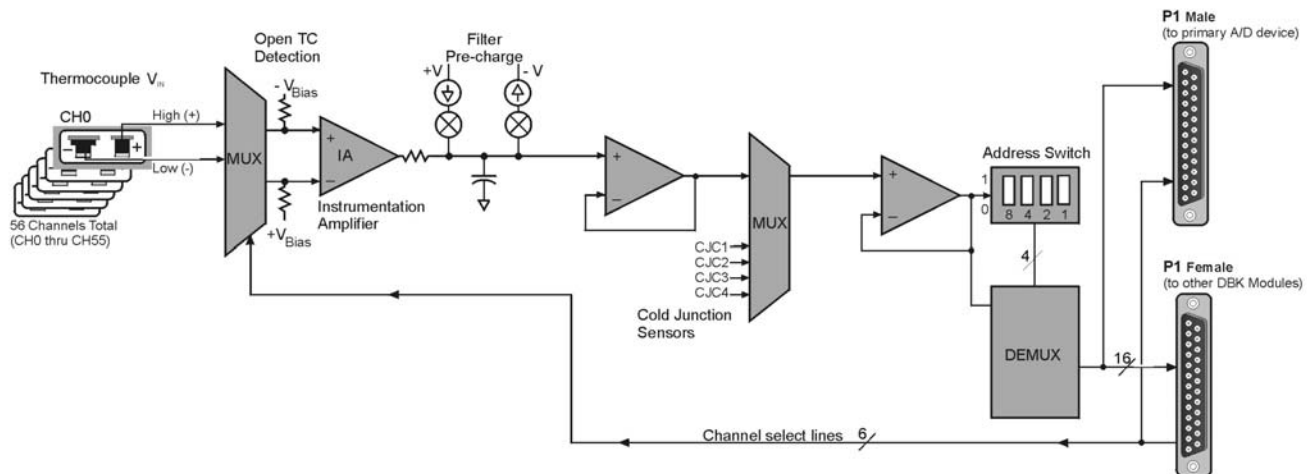
The DBK90 is used in temperature measurement applications and provides connections for 56 thermocouples through convenient mini-TC connectors.

The DBK90 features on-board cold junction compensation (CJC) for direct measurement of type J, K, T, E, N28, N14, S, R, and B thermocouples. The following table provides the temperature range for each of these thermocouple types.

Thermocouple Temperature Ranges									
T/C Type	J	K	T	E	N28	N14	S	R	B
Temperature Range °C	-200 to 760	-200 to 1200	-200 to 400	-270 to 650	-270 to 400	0 to 1300	-50 to 1768	-50 to 1768	50 to 1780
Temperature Range °F	-328 to 1400	-328 to 2192	-328 to 752	-454 to 1202	-454 to 752	32 to 2372	-58 to 3214	-58 to 3214	122 to 3236

**Note:** There are four CJC's on the DBK90, one per row of thermocouple connectors.

Up to sixteen DBK90 modules can be attached to a single DaqBook/2000 Series device, WBK40, or WBK41. Using Sixteen DBK90 modules provides up to 896 temperature channels.



**DBK90 Block Diagram**



**In comparison to typical DBK options, the DBK90 demands significant power from the system's  $\pm 15$  V power supplies. It is important that you calculate your system's power demand, as you may need to add auxiliary power supplies. For additional information refer to *Power Requirements* in the *DBK Basics* section.**

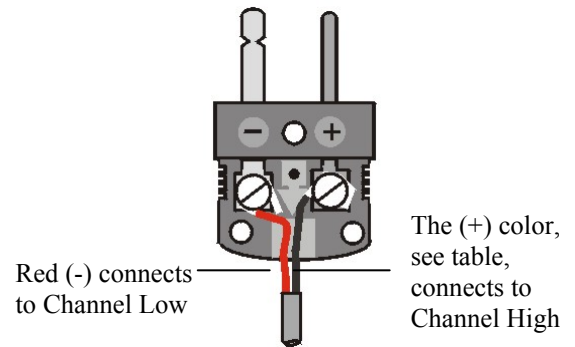
## Hardware Setup

### Connecting DBK90 Modules to Thermocouples

The DBK90 accepts up to 56 mini-TC plugs in its channels 0 through 55. All channels have the same level of functionality.

Thermocouple wire is standardized, color-coded, and polarized, as noted in the following table.

Thermocouple Standards			
T/C Type	(+) Lead to Channel High	(-) Lead to Channel Low	
J	White	Red	
K	Yellow	Red	
T	Blue	Red	
E	Violet	Red	
N28	Orange	Red	
N14	Orange	Red	
S	Black	Red	
R	Black	Red	
B	Gray	Red	



Mini-TC plugs are type-specific, and for best measurement operation the plug TC type should match the wire TC type. If necessary, copper/copper (Type U) plugs may be used, but measurement stability will be slightly degraded. Mini-TC plugs are polarized as well, and it is critical for proper measurement operation that this polarity be followed when connecting the thermocouple wire. Once wired, the TC plugs will only mate into the DBK90's connectors in one orientation, ensuring a correct connection.

It should be noted that thermocouples output very small voltages and that long thermocouple leads can pick up a large amount of noise. If desired, noise reduction can be achieved through the use of shielded thermocouples and/or averaging.



**You can minimize the effect of noise by (1) using shielded thermocouples, (2) averaging readings, or (3) employing both of these practices.**

Each DBK90 includes a jack labeled "ACOM." The jack is typically used for connecting the shield of a shielded thermocouple to the DBK90's analog common. When this connection is made the shield at the other end of the thermocouple is left unconnected.



**If a thermocouple shield is connected to the DBK90 module, leave the shield unconnected at the other end of the thermocouple. Connecting the shield to common at both ends will result in a ground loop.**

The jack accepts a removable 2mm banana plug for ease of making and breaking the analog common connection. The 2mm banana plug that is shipped with the product is part number 5936-0 from Pomona® Electronics.



**The ACOM connector is a 2mm banana jack. To ensure a good connection that will not damage the jack, use a Pomona® Electronics 2mm banana plug (p/n 5936-0). The use of a different plug (including a 0.08 inch tip type) may damage the ACOM jack.**



#### Reference Note:

In regard to automotive applications, refer to the upcoming section entitled, *Vehicle Testing*. The section begins on page 9.

## Open Thermocouple Detection

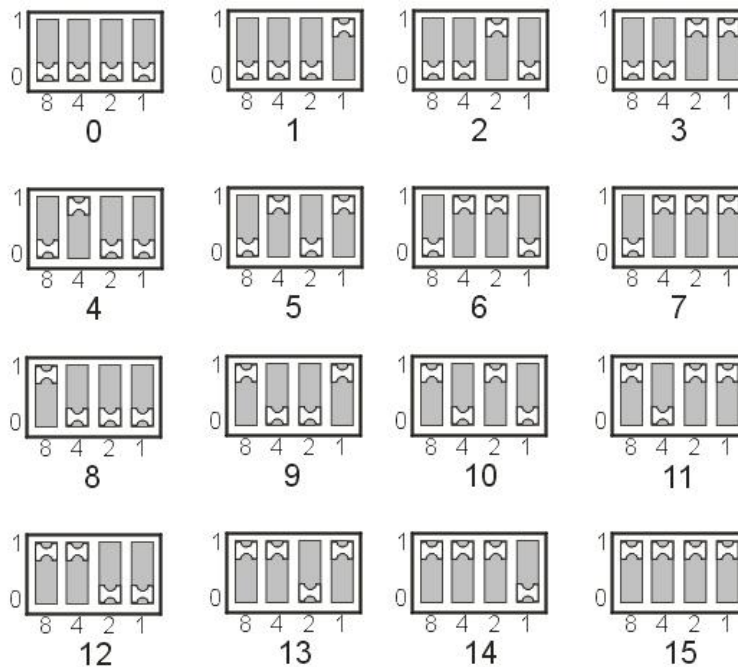
The DBK90 is equipped with open thermocouple detection for each channel. This means that a broken thermocouple wire [or otherwise unconnected input] that is measured will result in an off-scale reading. This is accomplished by applying a small bias current to each of the channel inputs. Whenever a valid input is absent, the bias current saturates the input amplifier, resulting in the off-scale reading.

## Module Configuration

Up to sixteen DBK90 modules can be attached to a single DaqBook/2000 Series device, WBK40, or WBK41. Since multiple modules are connected via a parallel interface, each must have a unique channel address.

<b>CAUTION</b>	
	<b>Adjustment of the channel address must only be performed when the system power is OFF. Failure to do so may result in equipment damage.</b>

To assign a channel address to the DBK90 module, first locate the DIP switch on the unit's underside (the side opposite of the mini-TC connectors). Four micro-switches [on the DIP switch] are used to set the module's channel address in binary. After ensuring that the system power is OFF, adjust the micro-switches to set the desired address. The following figure shows DIP switch settings for the 16 possible addresses.



*DBK90 Channel Address Settings*



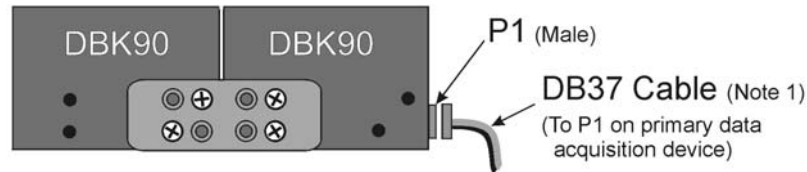
**Each module in the system must have a unique address.**

---

## Connecting DBK90 Modules to other Devices

### Mounting DBK90 Modules to Each Other – Using Kit # 1109-0800

Each 1109-0800 mounting kit includes two splice bars and eight screws. The kit is only intended for mounting one DBK90 module to another. However, other kits are available for mounting DBK90s to primary acquisition devices, for example, to a DaqBook/2000 Series device. Those kits are discussed shortly.



#### *Two DBK90 Modules, Combined via Kit # 1109-0800*

Follow these steps if you desire to mount DBK90 modules to each other using 8-hole splice bars.

1. Push the two DBK90 modules together such that their P1 connectors properly mate. Note that each DBK90 has a female P1 DB37 connector on one side and a male P1 DB37 connector on the other.
2. Align four holes of an 8-hole splice bar as indicated in the preceding figure. Note that the two holes for one DBK90 will be vertical, while the two holes for the other DBK90 will be diagonal (see figure).
3. Secure the splice bar to the DBK90 modules using the provided screws. The screws are 8-32 x 1/4 Phillips Pan Head Screws.
4. Use the second splice bar and set of 4 screws, to secure the other side of the assembly.  
**Note:** Additional splice bar kits can be used to add more DBK90 modules to the assembly.
5. Connect one end of a DB37 cable to the DBK90 male P1 connector (see figure).
6. Connect the other end of the DB-37 cable to the male P1 connector located on the primary data acquisition device.

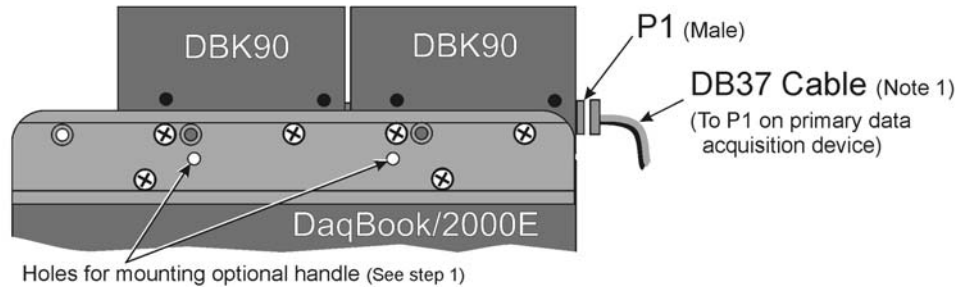
This completes the procedure.

**Note 1:** A female-to-female 37 pin connector can be used to connect a DBK90 to the host data acquisition device. The use of a CA-143-x shielded cable is recommended for scenarios in which signal noise is a problem. Page 14 of this section includes a list of cables compatible with DBK90 use.

## Mounting one or two DBK90 Modules to a Primary Data Acquisition Device – Using Kit # 1109-0802

**Note:** Kit 1109-0802 is for use with a primary data acquisition device that has no molded protective ears. The ears would interfere with the kit's splice plates.

Mounting kit p/n 1109-0802 includes two splice plates and the associated screws for securing the plates to the main data acquisition device, and then securing up to two DBK90 modules to the plates. An optional handle can be added, as discussed in step 1.



### *Two DBK90 Modules mounted to a DaqBook/2000E, via Kit # 1109-0802*

Note that the DaqBook/2000 Series devices and the kit's splice-plates each have a length of 8.5 inches.

1. If you are attaching an optional handle:
  - (a) Position the handle's mounting holes over the indicated holes in one splice plate.
  - (b) Secure the handle by threading screws through the counter-sunk holes on the opposite side of the splice plate.
2. Align the lower two screw-holes of one splice-plate with the mating holes on the primary acquisition device.
3. Secure the splice-plate using two of the provided screws. The screws are 8-32 x 1/4 Phillips Pan Head Screws.
4. Mount the second splice-plate to the other side of the acquisition device.
5. Position a DBK90 module such that its male P1 connector is located on the same plane as the P1 connector on the primary device.
6. With the screw holes of the DBK90 aligned with those of a splice-plate (see figure), secure the module to the plate. Repeat this step for the other side of the module.
7. If you are connecting a second DBK90 module:
  - (a) Mate the male P1 connector of the second DBK90 module with the female P1 connector of the first DBK90 module.
  - (b) Secure the second DBK90 module to the two splice plates using two screws per side (see figure).
8. Connect one end of a DB37 cable to the first DBK90's P1 male connector (see figure).
9. Connect the other end of the CA-37 cable to the male P1 connector of the data acquisition device.

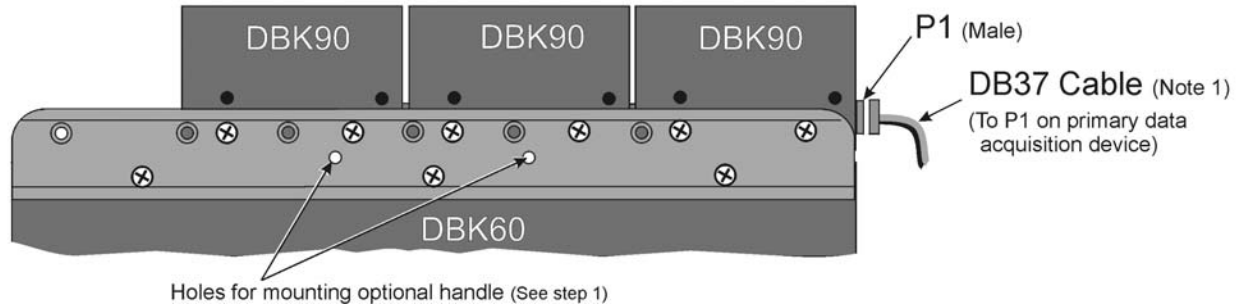
This completes the procedure.

**Note 1:** A female-to-female 37 pin connector can be used to connect a DBK90 to the host data acquisition device. The use of a CA-143-x shielded cable is recommended for scenarios in which signal noise is a problem. Page 14 of this section includes a list of cables compatible with DBK90 use.

## Mounting one, two, or three DBK90 Modules to a DBK60 – Using Kit # 1109-0803

Mounting kit p/n 1109-0803 is used to mount up to three DBK90 modules to a DBK60. The mounting kit includes two splice plates and the necessary screws.

**Note:** Kit 1109-0803 is for use with a DBK60 that has no molded protective ears. The ears would interfere with the kit's splice plates.



### Three DBK90 Modules Mounted to a DBK60 via Kit # 1109-0803

Note that the DBK60 and the splice-plates each have a length of 13 inches.

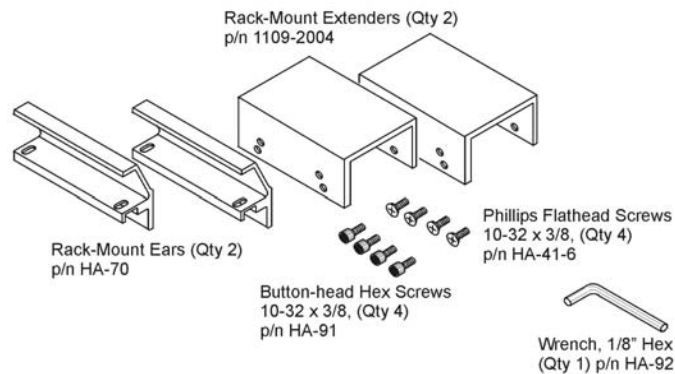
1. If you are attaching an optional handle:
  - (a) Position the handle's mounting holes over the indicated holes in one splice plate.
  - (b) Secure the handle by threading screws through the counter-sunk holes on the opposite side of the splice plate.
2. Align the lower three screw-holes of the splice-plate with the mating holes on the DBK60.
3. Secure the splice-plate to the DBK60 using three of the provided screws. Note that the screws are 8-32 x 1/4 Phillips Pan Head Screws.
4. Secure the second splice-plate to the other side of the DBK60.
5. Position a DBK90 module such that its male P1 connector is located on the same plane as the P1 connector of the DBK60.
6. Align the two lower screw holes of the DBK90 module with those on the splice-plate [the side nearest the DBK60's P1 connector] (see figure).
7. Use two of the provided screws to secure the DBK90 module to the splice-plate. Repeat this step for the other side of the assembly.
8. If you are connecting a second and/or third DBK90 module:
  - (a) Mate the female P1 connector of the second [or third] DBK90 module with the male P1 connector of the previously mounted DBK90 module.
  - (b) Secure the second [or third] DBK90 module to the two splice-plates using two screws per side (see figure).
9. Connect one end of a DB37 cable to the first DBK90's male P1 connector (see figure).
10. Connect the other end of the DB37 cable to the male P1 connector of the DBK60.

**Note 1:** A female-to-female 37 pin connector can be used to connect a DBK90 to the host data acquisition device. The use of a CA-143-x shielded cable is recommended for scenarios in which signal noise is a problem. Page 14 of this section includes a list of cables compatible with DBK90 use.

This completes the procedure.

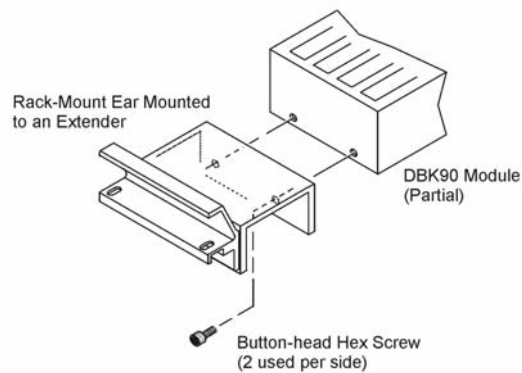
## Mounting a DBK90 to a Rack – Using Rack-Mount Kit # 1109-0801

You can use Rack-Mount Kit # 1109-0801 to mount a DBK90 module to a standard instrument rack. The kit includes 2 rack mount ears, 2 rack-mount extenders, 4 button-head hex screws, 4 Phillips flathead screws, and a hex wrench.



### *Rack-Mount Kit # 1109-0801*

Refer to the figures and to the following steps to prepare a DBK90 module for rack mounting.



### *Mounting an Ear/Extender Assembly to a DBK90*

1. Align the screw-holes of a Rack-Mount Ear to the matching holes on a Rack-Mount Extender.
2. Fasten the two parts together using 2 of the Phillips Flathead Screws. The Ear/Extender assembly should resemble the one in the above illustration.
3. Using 2 Button-head Hex Screws, secure the Ear/Extender assembly to the DBK90 module. Proper orientation is indicated in the above figure.
4. Using the Hex Wrench [provided], tighten the Hex Screws.
5. Repeat steps 1 through 4 for assembling the remaining Ear/Extender components and attaching them to the other side of the DBK90.

At this point the assembly can be mounted to a standard instrument rack.

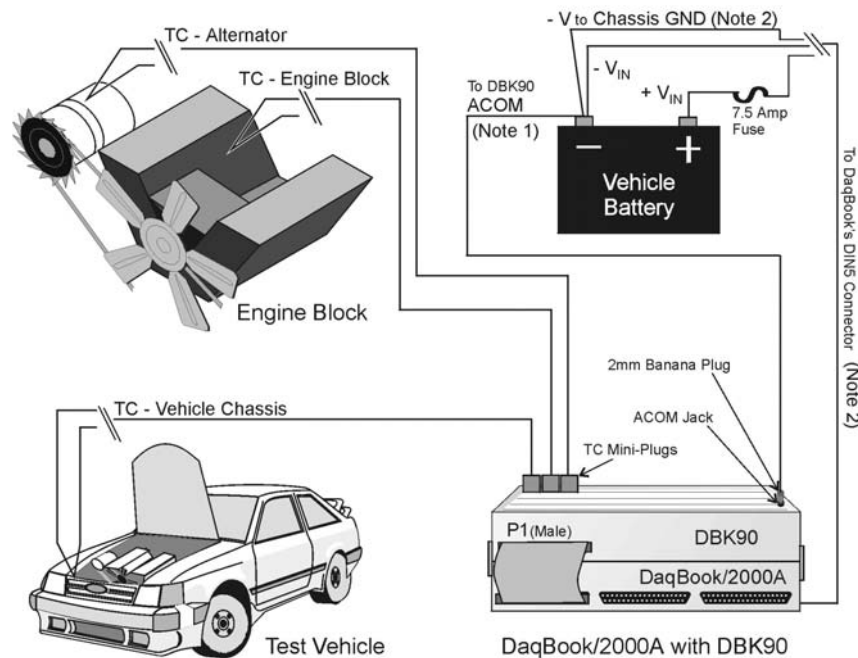


# Vehicle Testing and Noise Reduction

## Power Connections and Analog Common

To properly measure vehicle-attached thermocouples differentially, it is necessary to have an analog common connection to the negative side of the vehicle's electrical system. A jack labeled ACOM, located on the DBK90's mini-TC panel, provides a connection point for analog common. If analog common is not connected, true differential readings cannot be obtained due to noise. For this reason, the chassis of the primary data acquisition device, e.g., DaqBook/2000A, must also have a good connection to the negative side of the vehicle's electrical system.

All grounds should come together at the negative terminal of the test vehicle's battery. Connecting the grounds at any other point may introduce noise. One line, with a 2mm banana plug is used to connect the battery's negative terminal to the DBK90's ACOM jack. The ACOM jack connects internally to the DBK90's P1, pin # 28 (AGND).

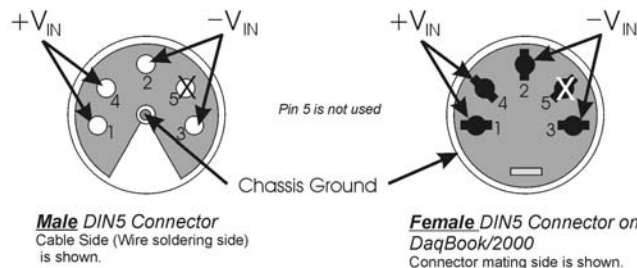


Connections for a Vehicle Test



**Note 1:** The ACOM connector is a 2mm banana jack. To ensure a good connection that will not damage the jack, use a Pomona® Electronics 2mm banana plug (p/n 5936-0). The use of a different plug (including a 0.08 inch tip type) may damage the ACOM jack.

**Note 2:** It is best to use a male DIN5 connector to connect the lines from the battery to the DaqBook/2000's female DIN5 connector. A Switchcraft® male DIN5 Connector (p/n 12BL5M) can be used for making your own cable.



The lines that will connect to the vehicle battery are soldered to the male DIN5 connector. As indicated in the first figure on this page, the  $+V_{IN}$  line connects to the battery's positive (+) terminal and should have a 7.5 amp fuse in series with the line. The  $-V_{IN}$  and Chassis Ground lines both connect to the battery's negative terminal.

## Shielding

Using shielded TC wire with the shield connected to analog common [DBK90's ACOM jack] will result in further noise reduction. Using a shielded ribbon cable to connect the DBK90's male P1 connector to the P1 connector of the primary data acquisition device will also help minimize noise. CA-143-7 and CA-143-18 are female-to-female, DB37 shielded ribbon cables of 7-inch and 18-inch lengths, respectively.



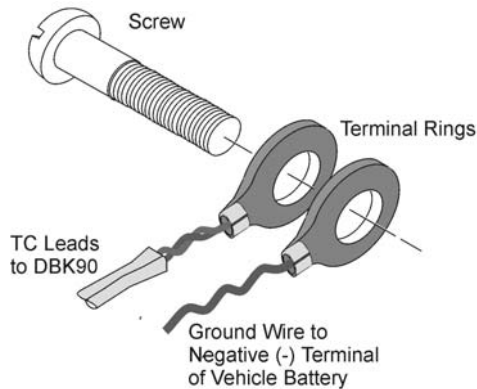
**If a thermocouple shield is connected to the DBK90 module, leave the shield unconnected at the other end of the thermocouple. Connecting the shield to common at both ends will result in a ground loop.**

## TC Common Mode

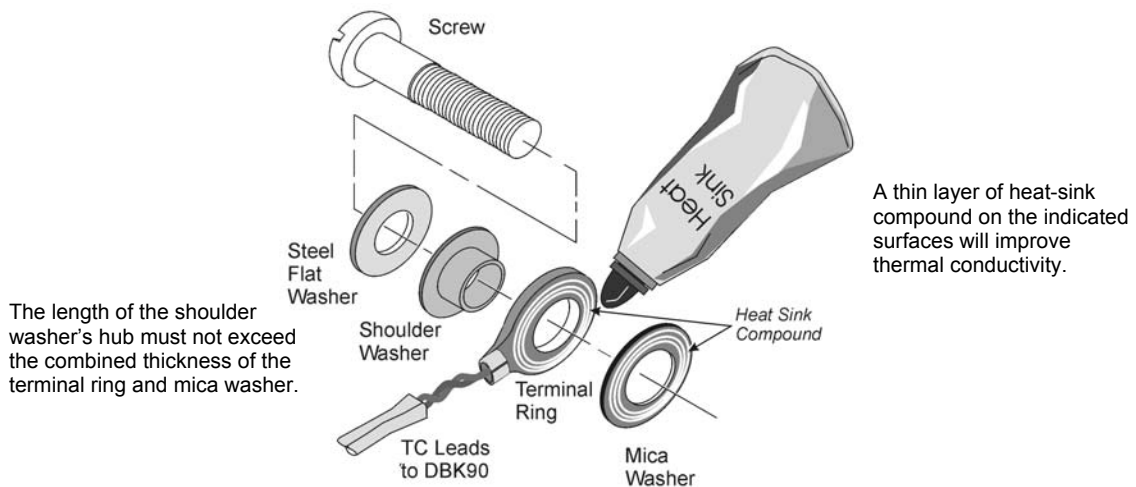
The maximum common-mode voltage for the DBK90 is  $\pm 10$  volts. Common-mode voltage is the DC or AC voltage signal that is applied equally to both sides of a differential input.

If a thermocouple is connected directly to a component in the vehicle at a potential that is over the maximum common-mode voltage, then very noisy or incorrect readings will be seen. Thermocouple connections that are made directly to the alternator or engine block may also result in high noise. Two methods of reducing noise are:

- (a) Run a ground line from the bolt, as indicated in the first figure.
- (b) Isolate the thermocouple leads with a set of washers, one of which is mica. This is indicated in the second figure.



***Running a Ground Wire to the Battery's Negative Terminal***



***Using a Washer Set and Heat Sink to Isolate the Thermocouple***

## Software Setup



### Reference Notes:

- **DaqView users** - Refer to *DBK Setup* in the *DaqView PDF*.
- **Programmers** using Daq devices should refer to related sections in the *Programmer's Manual*.

**Note:** DaqView includes functions for the conversion and linearization of thermocouple readings into temperature data.

When a DBK90 is selected in DaqView, thermocouple types must also be selected for the module's channels. The steps for this are as follows:

1. In DaqView's *Configure System Hardware Window*, select DBK90.
2. From the *Channel Setup Tab* (following figure) select the thermocouple types as applicable. Do this for each channel.

**Note:** Channel types can be changed by double-clicking in the *Type* column, or by using the *Channel Type* pull-down list.

In the DaqView figure below we see that J-type thermocouples have been selected for a DBK90 module's Channels 0 through 25; possibly more, but we would have to scroll down to view information for the other channels. Note that channel 0 is designated as P1 0-0 and that channel 1 is seen as P1 0-1. The "0" indicates that the DBK90 module is the first such module in the acquisition system. A second DBK90 module would list channel 0 as P1 1-0 and would show channel 1 as P1 1-1. A third module would have P1 2-0, P1 2-1, and so on ...

CH	On	Type	Polarity	Label	Units	Reading
P1 0-0	Yes	J	Bipolar	CH00-00	°C	
P1 0-1	Yes	J	Bipolar	CH00-01	°C	
P1 0-2	Yes	J	Bipolar	CH00-02	°C	
P1 0-3	Yes	J	Bipolar	CH00-03	°C	
P1 0-4	Yes	J	Bipolar	CH00-04	°C	
P1 0-5	Yes	J	Bipolar	CH00-05	°C	
P1 0-6	Yes	J	Bipolar	CH00-06	°C	
P1 0-7	Yes	J	Bipolar	CH00-07	°C	
P1 0-9	Yes	J	Bipolar	CH00-09	°C	
P1 0-10	Yes	J	Bipolar	CH00-10	°C	
P1 0-11	Yes	J	Bipolar	CH00-11	°C	
P1 0-12	Yes	J	Bipolar	CH00-12	°C	
P1 0-13	Yes	J	Bipolar	CH00-13	°C	
P1 0-14	Yes	J	Bipolar	CH00-14	°C	
P1 0-15	Yes	J	Bipolar	CH00-15	°C	
P1 0-16	Yes	J	Bipolar	CH00-16	°C	
P1 0-17	Yes	J	Bipolar	CH00-17	°C	
P1 0-18	Yes	J	Bipolar	CH00-18	°C	
P1 0-19	Yes	J	Bipolar	CH00-19	°C	
P1 0-20	Yes	J	Bipolar	CH00-20	°C	
P1 0-21	Yes	J	Bipolar	CH00-21	°C	
P1 0-22	Yes	J	Bipolar	CH00-22	°C	
P1 0-23	Yes	J	Bipolar	CH00-23	°C	
P1 0-25	Yes	J	Bipolar	CH00-25	°C	

*DaqView, Channel Setup*

---

## Using a Temperature Calibrator

The DBK90 thermocouple module provides accurate and repeatable temperature measurements across a wide range of operating conditions. However, all instrumentation is subject to drift with time and with ambient temperature change.

**Note:** The ambient temperature should be stabilized for at least one hour.

If the ambient temperature of the operating environment is below 18°C or above 28°C, or if the product is near or outside its one-year calibration interval, then the absolute accuracy may be improved through the use of an external temperature calibrator.

A temperature calibrator is a temperature simulation instrument that allows selection of thermocouple type and temperature. For proper operation, it must be connected to the DBK90 with the same type thermocouple wire and connector that is used in normal testing. The calibrator then generates and supplies a voltage to the module. The supplied voltage corresponds to that which would be generated by the chosen thermocouple type at the selected temperature.

The temperature selected on the calibrator will be dictated by the nature of normal testing. 0°C is usually the best choice. Calibrators are the most accurate at this setting, and the connecting thermocouple wire will contribute very little error at this temperature. However, if the dynamic range of the normal testing is, for example, 100°C to 300°C, a selection of 200°C may give better results. In either case, the level of adjustment is determined by comparing the unit reading to the selected calibrator temperature. For example, if the calibrator is set to 0°C output, and the DBK unit reads 0.3°C, then an adjustment of -0.3°C is required. That is, the adjustment value is determined by subtracting the DBK reading from the calibrator setting.

### To implement the adjustment in DaqView:

1. Ensure that the acquisition process is turned off.
2. Click on the cell in the Units column for the channel that is connected to the calibrator. The engineering units pull-down menu above the grid becomes active.
3. Click on the down arrow and select the “mx+b” option. This option allows post-acquisition mathematical manipulation.
4. For the example adjustment, enter -0.3 for “b.” The channel under calibration will now read 0°C.

Note that this adjustment is a mathematical operation only, and in no way alters the hardware calibration of the product. Moreover, it operates on a per channel basis, with the settings for a given channel having no influence on any other channels.

# DBK90 – Specifications

Note: Specifications are subject to change without notice.

**System Compatibility:** Attaches to DaqBook/2000 Series, or to a WBK40 or WBK41

**System Connectors:** 1 male and 1 female DB37 connector for unit-to-unit mating and for mating with P1 on the primary data acquisition device.

**TC Connectors:** 56 Mini-TC connectors, oriented in 4 rows of 16

**ACOM (Analog Common) Connector:** DBK90's ACOM connector accepts a 2 mm banana plug (Pomona® Electronics p/n 5936-0). The ACOM connector and 2mm jack pin provide a convenient means of connecting a line to DBK90's analog common.

**Inputs:** 56 differential TC inputs, open TC detection per channel

**TC Types:** J, K, T, E, S, R, B, N28, N14

**Speed:** Maximum TC measurement rate is 1 ms/channel

**Dimensions:** 285 mm W x 88 mm D x 52 mm H (11" x 3.44" x 2.05")

**Weight:** 0.96 kg (2.12 lbs)

**Power Requirements:** 40 mA max from ±15V; 60 mA max from +5V

DBK90 Maximum Channel Capacity					
Device	Max. Channel Capacity per Device		Max. Channel Capacity per System		Max. DBK90 Power Capacity per Device
DaqBook/2000 Series	896	using 16 DBK90s	3,584*	using 16 DBK90s	10 DBK90s ***
WBK40, WBK41	854	using 15 DBK90s	2,562**	using 15 DBK90s	10 DBK90s ***

\* Presumes 4 DaqBook/2000 Series devices per system.

\*\* Presumes 3 WBK40 / WBK41 devices attached to a WaveBook/516E

\*\*\* Presumes that no other active DBK modules are attached. A DBK32A power supply is necessary to power additional DBK90s or other active DBK options.

**Input Impedance:** 4 MΩ (differential) in parallel with 400pF

**Input Bandwidth:** 1 kHz

**Minimum Resolution:** 0.1°C for all TC types

**TC Accuracy:** Valid for one year 25°C ambient, see following table and accuracy conditions

**Operating Temperature:** -20° to +80°C

**Relative Humidity:** 0 to 95%, non-condensing

**Temperature Coefficient of Accuracy:** ±0.05°C for every °C away from 25°C

**Channel-to-Channel Crosstalk:** -90 dB typ (0 to 100 Hz)

**DC CMRR:** -80 dB typ

**AC CMRR:** -80 dB typ (0 to 60 Hz)

**Maximum Common Mode Voltage:** ±10V

**Over-Voltage Protection:** ±40V

TC Accuracy at Measurement Temperature in °C (±°C)											
Type	Min	Max	-100	0	100	300	500	700	900	1100	1400
J	-200	760	0.8	0.7	0.7	0.8	0.9	0.9	—	—	—
K	-200	1200	0.9	0.8	0.8	0.9	1.1	1.1	1.2	1.3	—
T	-200	400	0.9	0.8	0.8	0.8	—	—	—	—	—
E	-270	650	0.8	0.7	0.7	0.7	0.8	—	—	—	—
S	-50	1768	—	3.1	2.4	2.0	2.0	1.9	2.0	2.1	2.1
R	-50	1768	—	3.1	2.1	2.0	1.9	1.9	1.7	1.9	2.0
B	50	1780	—	—	—	4.9	3.2	2.8	2.4	2.3	2.0
N28	-270	400	1.2	0.9	0.9	0.9	—	—	—	—	—
N14	0	1300	—	0.9	0.9	0.9	1.1	1.1	1.2	1.3	—

**Accuracy conditions:**

- Exclusive of thermocouple errors
- Exclusive of noise
- $V_{CM} = 0$

## Ordering Information

*Note: Ordering information is subject to change without notice.*

	Description	Part No.
1	DBK90 56 channel thermocouple input module	DBK90
2	Mounting kit for mounting one DBK90 to another DBK90	1109-0800
3	Rack-mount kit (2U high rack-mount kit for rack mounting one DBK90 module)	1109-0801
4	Mounting kit for attaching 1 or 2 DBK90 modules on top of a primary data acquisition device which has no protective ears	1109-0802
5	Mounting kit for attaching 1,2, or 3 DBK90 modules on top of a DBK60 which has no protective ears	1109-0803
6	Molded corner mounting kit for attaching 1 or 2 DBK90 modules on top of a primary data acquisition device which has protective ears	1109-0804
<b>Cables, DB37 type, female-to-female</b> <b>Note:</b> The CA-37x ribbon cable can be used in lieu of the CA-255-x molded T cables.		
8	<b>2.38" Molded T-Cable Kit*</b> Used with 1U(Short) devices, e.g., LogBook/300, DaqBook/2001, DaqBook/2005, DaqLab/2001, and DaqLab/2005	CA-255-2T
9	<b>4" Molded T-Cable Kit*</b> Typically used with 2U(Tall) devices, e.g., LogBook/360, DaqBook/2020, and WBK40/41	CA-255-4T
10	<b>Ribbon Cable</b> Various lengths represented by x. The CA-37-x ribbon cable can be used in lieu of the CA-255-x molded T cables. CA-37-x is typically used with DaqScan.	CA-37-x
11	<b>7" Shielded Ribbon Cable</b> Recommended for scenarios in which signal noise is a problem.	CA-143-7
12	<b>18" Shielded Ribbon Cable</b> Recommended for scenarios in which signal noise is a problem.	CA-143-18
13	2mm banana plug for DBK90's analog common connector (ACOM).	Pomona® Electronics p/n 5936-0

\* Molded T-Cable Kits include cable, guide sheet, cap plug and panel screws